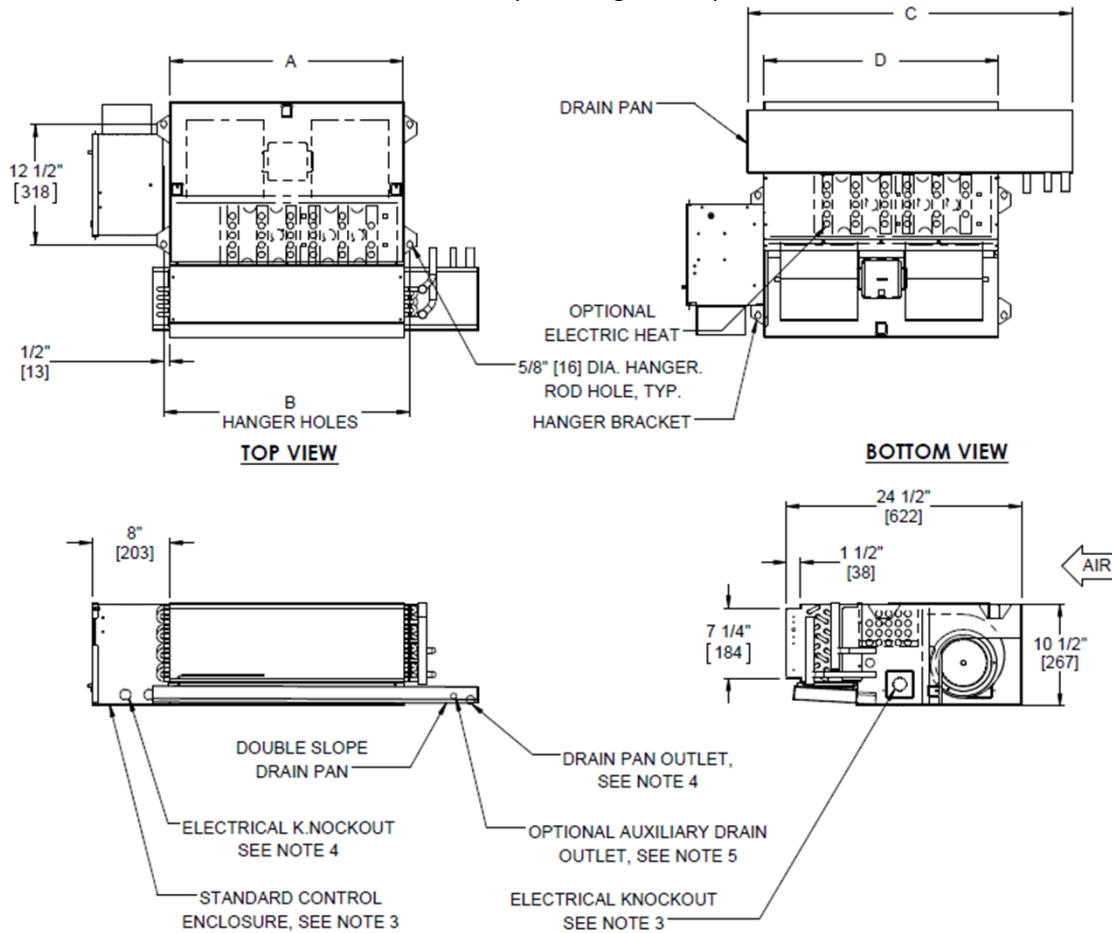


THBC Series A

Horizontal Low Profile Concealed Free Return (Cooling & EH)



FRONT VIEW

UNIT SIZE	DIMENSIONS (in)			
	A	B	C	D
02	16	17 1/4	25 1/4	16
03	19 1/4	20 1/2	28 1/2	19 1/4
04	24 1/4	25 1/2	33 1/2	24 1/4
06	31	32 1/4	40 1/4	31
08	38	39 1/4	47 1/4	38
09	42 1/4	43 1/2	51 1/2	42 1/4
10	52	53 1/4	61 1/4	52
12	60	61 1/4	69 1/4	60

SIDE VIEW

UNIT SIZE	DIMENSIONS (mm)			
	A	B	C	D
02	[406]	[438]	[641]	[406]
03	[489]	[521]	[724]	[489]
04	[616]	[648]	[851]	[616]
06	[787]	[819]	[1022]	[787]
08	[965]	[997]	[1200]	[965]
09	[1073]	[1105]	[1308]	[1073]
10	[1321]	[1353]	[1556]	[1321]
12	[1524]	[1556]	[1759]	[1524]

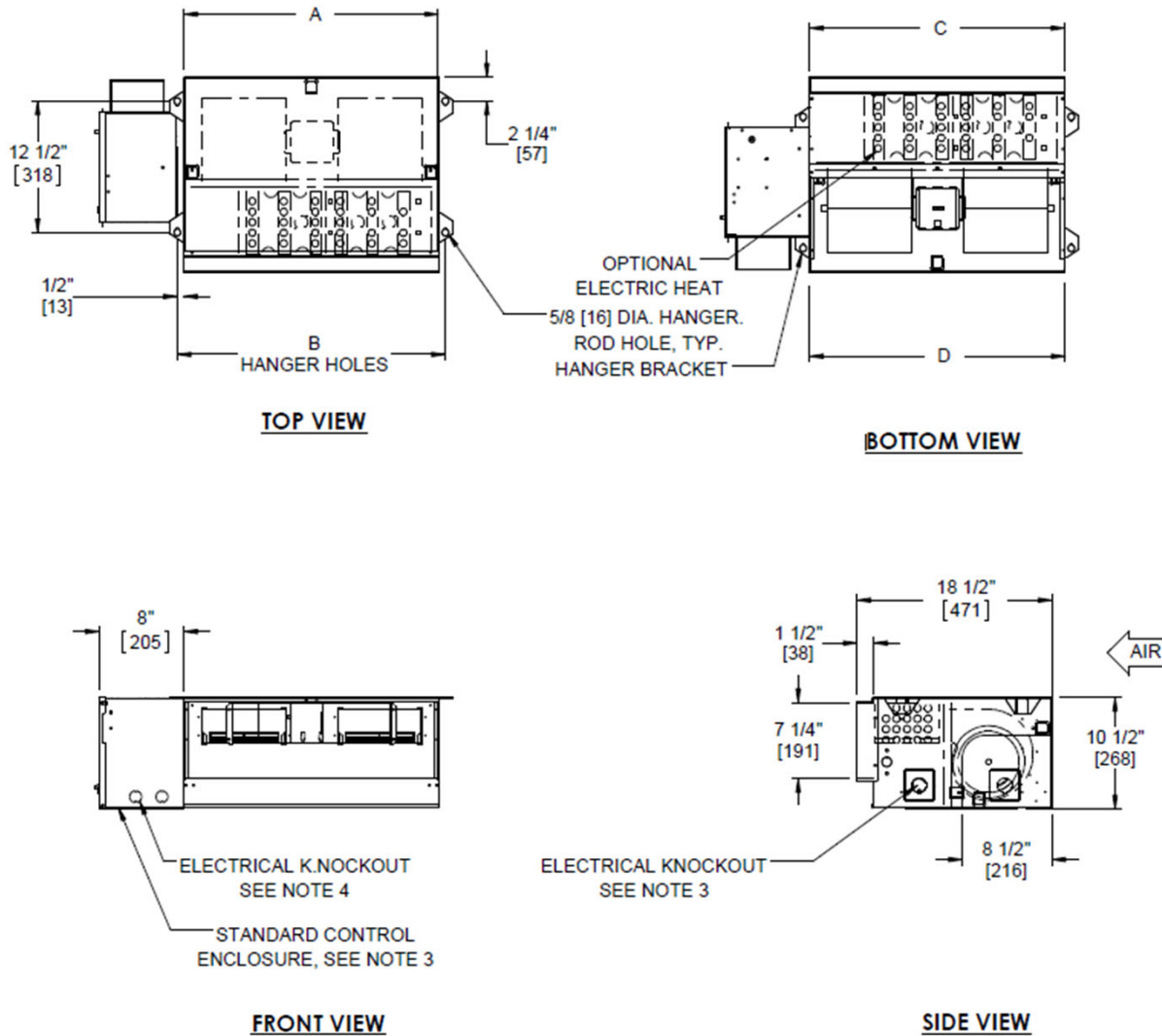
NOTES:

1. All dimensions in Inches [millimeters]. All dimensions +/- 1/4" [6mm]. Metric values are soft conversion.
2. Left hand unit shown, right hand unit opposite.
3. Standard control enclosure is mounted on unit side opposite cooling coil connections. Unit casing includes (2) knockouts on one side and (1) knockout on another side. Provide sufficient clearance to access electrical controls and comply with applicable codes and ordinances.
4. Standard externally foam coated galvanized steel drain pan has 7/8" ODM copper outlet. Stainless steel drain pan has 3/4" MPT galvanized steel outlet.
5. Standard galvanized steel aux. drain pan has 5/8" ODM copper outlet. Stainless steel aux. drain pan has 3/4" MPT galvanized steel outlet.
6. See coil connection drawings for coil connection sizes and locations.

All rights reserved. No part of this work may be reproduced or transmitted in any form or by any means, electronic or mechanical, including photocopying and recording, or by any information storage retrieval system without permission in writing from Titus.

THBC Series A

Horizontal Low Profile Concealed Free Return (EH Only)



DIMENSIONS (in)				
UNIT SIZE	A	B	C	D
02	16	17 1/4	16	13 3/16
03	19 1/4	20 1/2	19 1/4	16 7/16
04	24 1/4	25 7/16	24 1/4	22 11/16
06	31	32 1/4	31	29 7/16
08	38	39 1/4	38	36 7/16
09	42 1/4	43 5/16	42 1/4	40 1/2
10	52	53 1/4	52	50 7/16
12	60	60 1/4	60	57 1/2

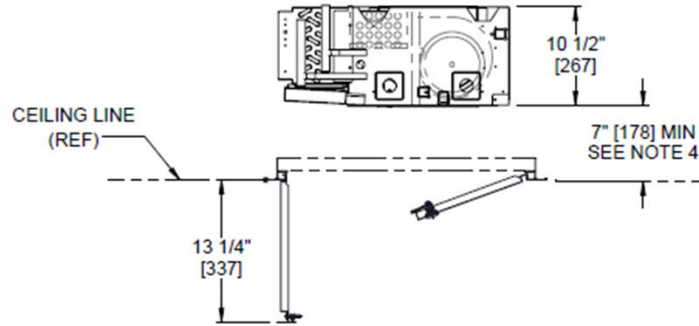
DIMENSIONS [mm]				
UNIT SIZE	A	B	C	D
02	[406]	[438]	[406]	[335]
03	[489]	[521]	[489]	[418]
04	[616]	[646]	[616]	[576]
06	[787]	[819]	[787]	[748]
08	[965]	[997]	[965]	[925]
09	[1073]	[1100]	[1073]	[1029]
10	[1321]	[1353]	[1321]	[1281]
12	[1524]	[1530]	[1524]	[1461]

NOTES:

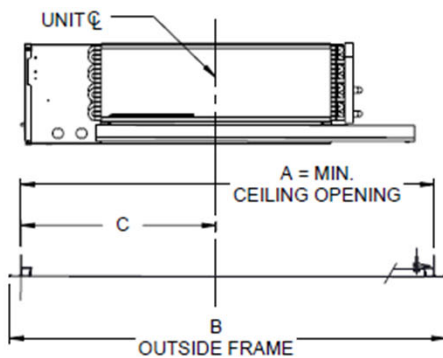
1. All dimensions in Inches [millimeters]. All dimensions +/- 1/4" [6mm]. Metric values are soft conversion.
2. Left hand unit shown, right hand unit opposite.
3. Standard control enclosure is mounted on unit side opposite cooling coil connections. Unit casing includes (2) knockouts on each side. Provide sufficient clearance to access electrical controls and comply with applicable codes and ordinances.

THBC/THBP Series A

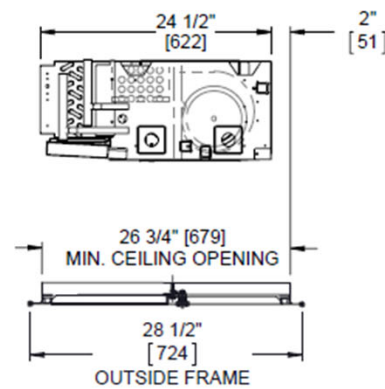
Horizontal Low Profile Concealed/Plenum (Solid Bottom Access Panel)



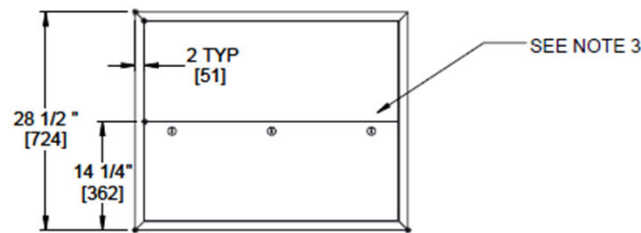
SIDE VIEW



FRONT VIEW



SIDE VIEW



BOTTOM VIEW

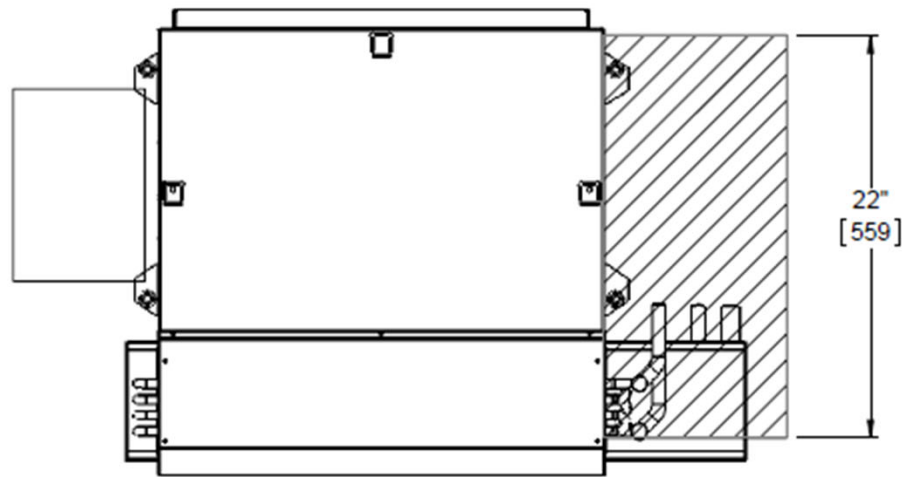
DIMENSIONS			
UNIT SIZE	A	B	C
02	38 1/4" [972]	40 1/4" [1022]	19 1/8" [486]
03	41 1/2" [1054]	43 1/2" [1105]	20 3/4" [527]
04	46 1/2" [1181]	48 1/2" [1232]	23 1/4" [591]
06	53 1/4" [1353]	55 1/4" [1403]	26 5/8" [676]
08	60 1/4" [1530]	62 1/4" [1581]	30 1/8" [765]
09	64 1/2" [1638]	66 1/2" [1689]	32 1/4" [819]
10	74 1/4" [1885]	76 1/4" [1937]	37 1/8" [943]
12	82 1/4" [2089]	84 1/4" [2140]	41 1/8" [1045]

NOTES:

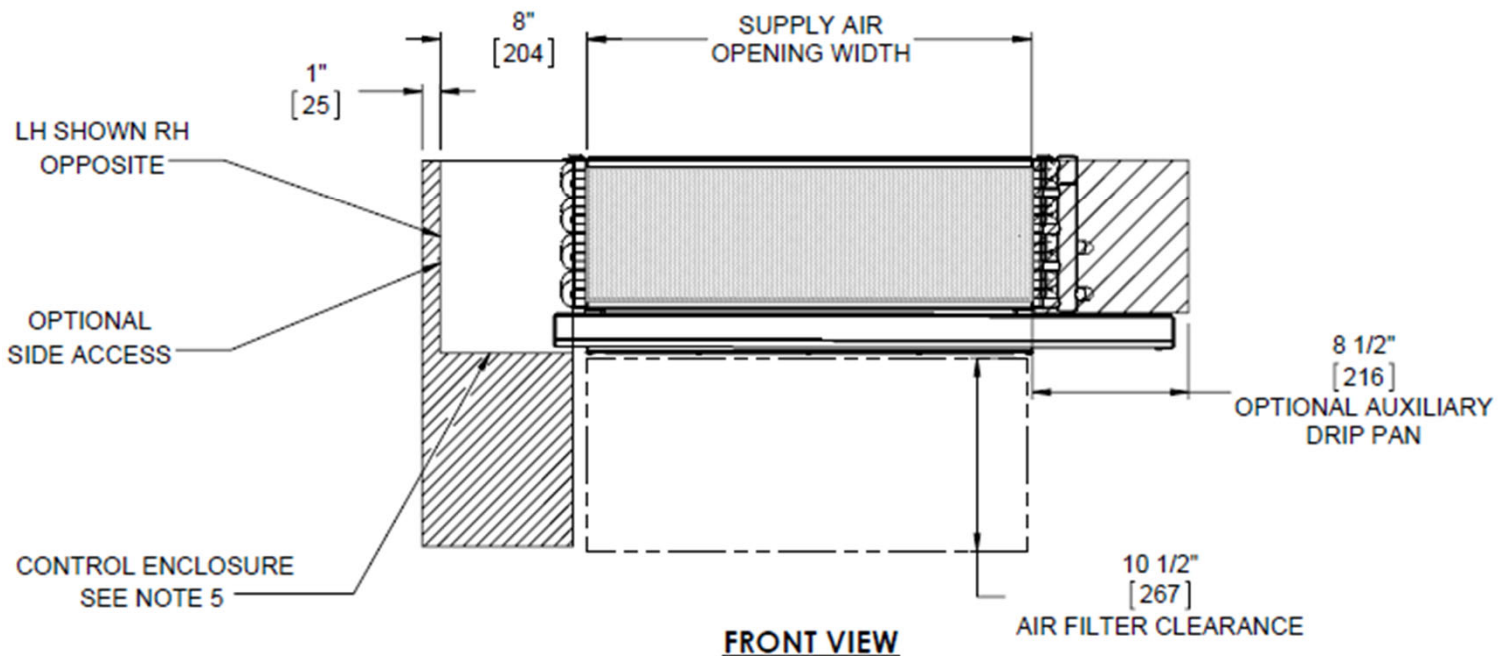
1. All dimensions in Inches [millimeters]. All dimensions $\pm 1/4"$ [6mm]. Metric values are soft conversion.
2. Left hand unit shown, right hand unit opposite.
3. 1/4 Turn latch, (2) qty for standard sizes, (3) qty for sizes 10-12.
4. Please reference the external feature space requirements submittal for complete service space requirements. Service access may be limited based on the panels are installed in relation to the unit.

THBC/THBP Series A

Horizontal Low Profile Concealed/Plenum External Space Requirements



TOP VIEW



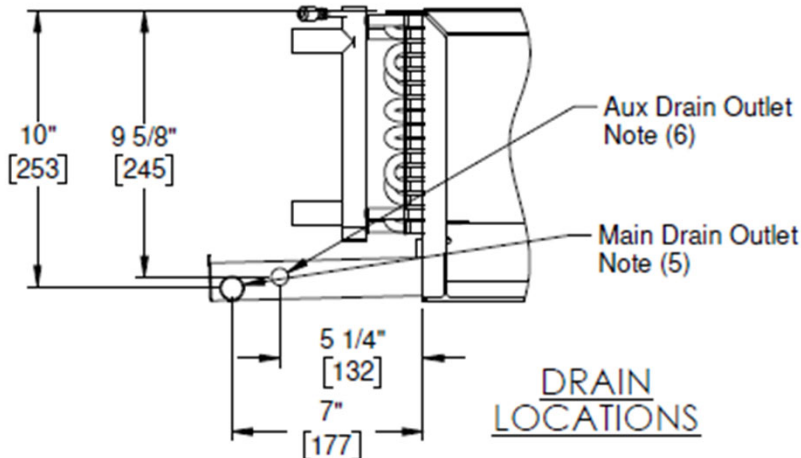
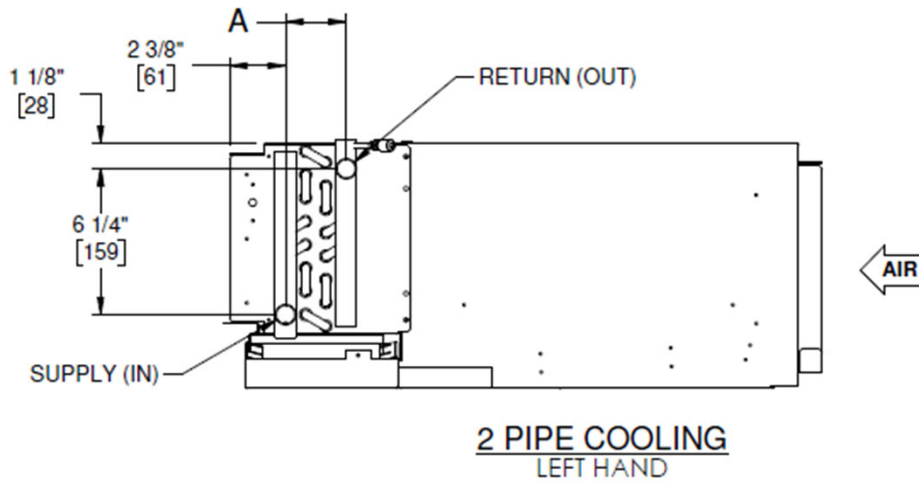
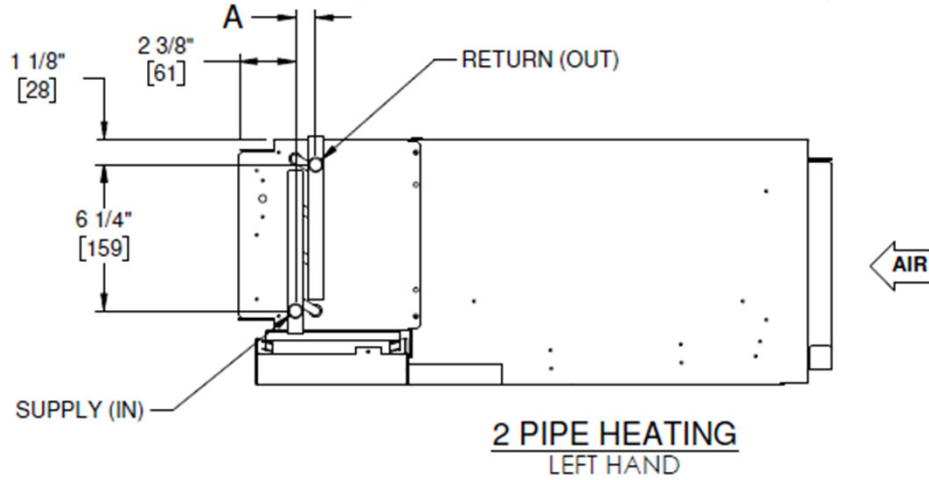
FRONT VIEW

NOTES:

1. All chilled water piping that projects beyond the condensate pan or the optional auxiliary drip pan must be field insulated by others.
2. Auxiliary drip pan shown above is optional, and is mounted on the outlet side of the drain pan.
3. Drain pan is installed with the outlet tube(s) on cooling coil connection end of coil on 4-pipe units with optional opposite end connection.
4. Dimensions shown on this drawing apply to standard CW and HW valve packages. Refer to the Piping Package Catalog for valve package code details. Contact factory for details on valve packages using non-standard or customer furnished components.
5. Provide sufficient clearance to access electrical components and comply with all applicable codes and ordinances.

THBC/THBP Series A

Horizontal Low Profile Concealed/Plenum (Water Coil Connection Locations)



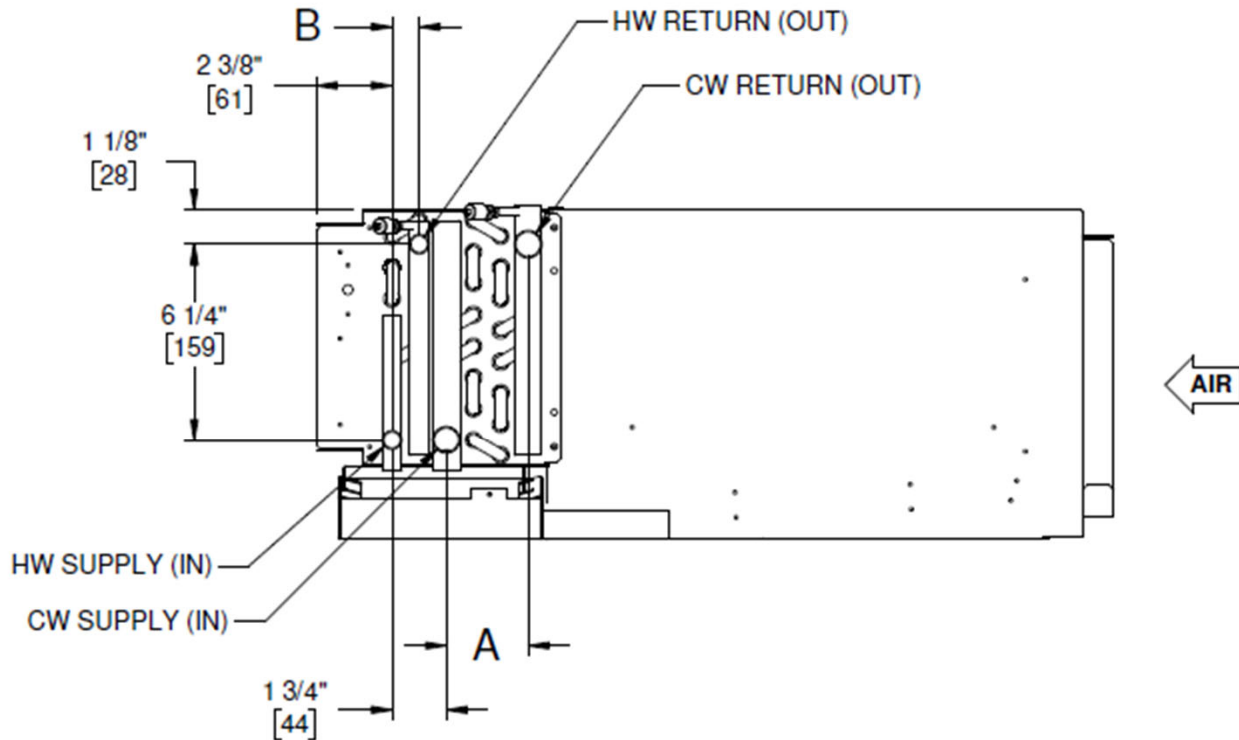
Unit Type	Coil Rows	A
2 Pipe Heating	1	1" [25]
	2	7/8" [22]
2 Pipe Cooling	2	1 1/8" [29]
	3	1 3/4" [44]
	4	2 5/8" [67]
	5	3 1/2" [89]
	6	4 3/8" [111]

NOTES:

- All dimensions are inches [millimeters] All dimensions +/- 1/2 [13mm]. Metric values are soft conversion.
- All drawings subject to change without notice.
- Model THBP unit shown, typical for model THBC units. Connections shown are internal on THBE units.
- Connection Size: Chilled Water: 7/8 ODM (3/4" NOM.) Hot Water: 5/8 ODM (1/2" NOM.)
- Standard externally foam coated galvanized steel drain pan has 7/8" ODM copper outlet. Stainless steel drain pan has 3/4" MPT galvanized steel outlet.
- Aux. drain outlet is 5/8" ODM copper or 3/8" MPT galvanized steel respectively. Aux. drain outlet is always on viewer's left when facing outlet end of drain pan, regardless of unit hand.

THBC/THBP Series A

Horizontal Low Profile Concealed/Plenum (Water Coil Connection Locations)



4 PIPE RE-HEAT LEFT HAND

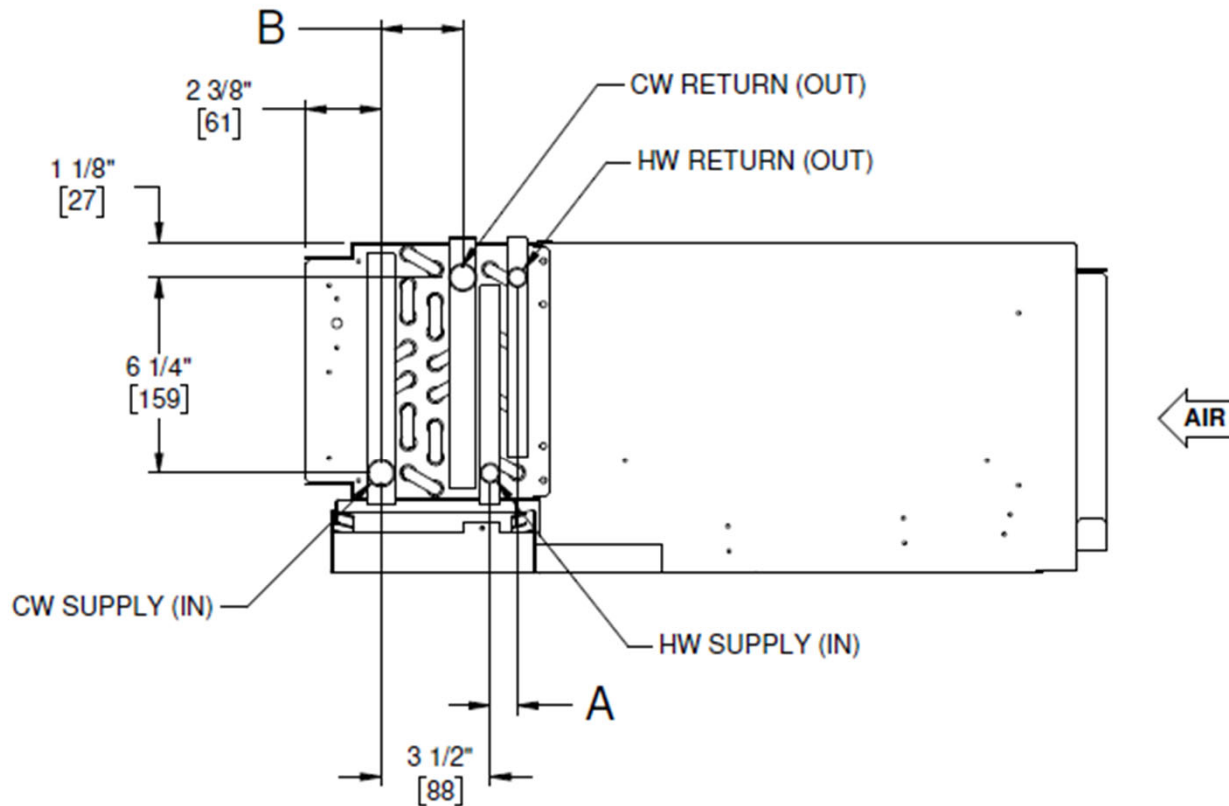
4 Pipe Re-Heat			
Coil 1 Rows	A	Coil 2 Rows	B
2	1 1/8" [29]	1	1" [25]
3	1 3/4" [44]	1	1" [25]
4	2 5/8" [67]	1	1" [25]
5	3 1/2" [89]	1	1" [25]
2	1 1/8" [29]	2	7/8" [22]
3	1 3/4" [44]	2	7/8" [22]
4	2 5/8" [67]	2	7/8" [22]

NOTES:

1. All dimensions are inches [millimeters] All dimensions +/- 1/2 [13mm]. Metric values are soft conversion.
2. All drawings subject to change without notice.
3. Model THBP unit shown, typical for model THBC units. Connections shown are internal on THBE units.
4. Connection Size: Chilled Water: 7/8 ODM (3/4" NOM.) Hot Water: 5/8 ODM (1/2" NOM.)
5. Standard externally foam coated galvanized steel drain pan has 7/8" ODM copper outlet. Stainless steel drain pan has 3/4" MPT galvanized steel outlet.
6. Aux. drain outlet is 5/8" ODM copper or 3/8" MPT galvanized steel respectively. Aux. drain outlet is always on viewer's left when facing outlet end of drain pan, regardless of unit hand.

THBC/THBP Series A

Horizontal Low Profile Concealed/Plenum (Water Coil Connection Locations)



4 PIPE PRE-HEAT LEFT HAND

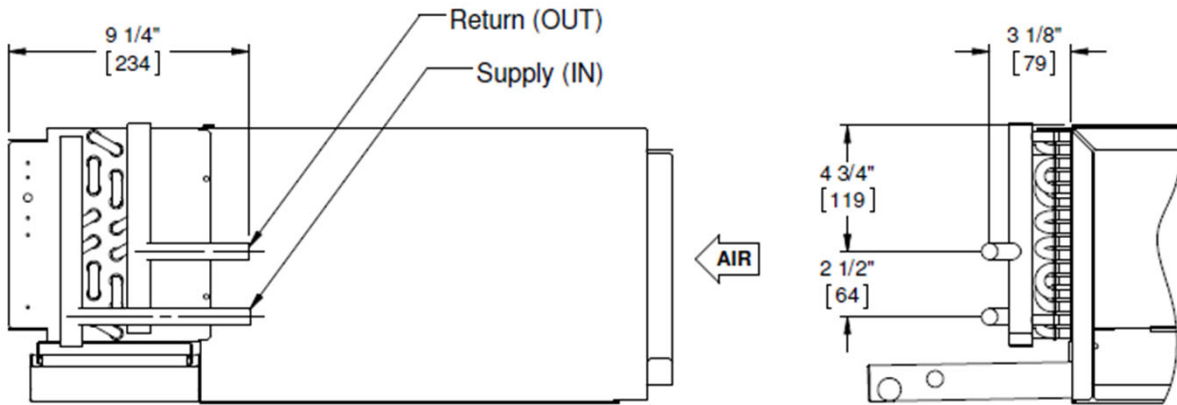
4 Pipe Pre-Heat			
Coil 1 Rows	A	Coil 2 Rows	B
2	1" [25]	1	1 1/8" [29]
3	1" [25]	1	1 3/4" [44]
4	1" [25]	1	2 5/8" [67]
5	1" [25]	1	3 1/2" [89]
2	7/8" [22]	2	1 1/8" [29]
3	7/8" [22]	2	1 3/4" [44]
4	7/8" [22]	2	2 5/8" [67]

NOTES:

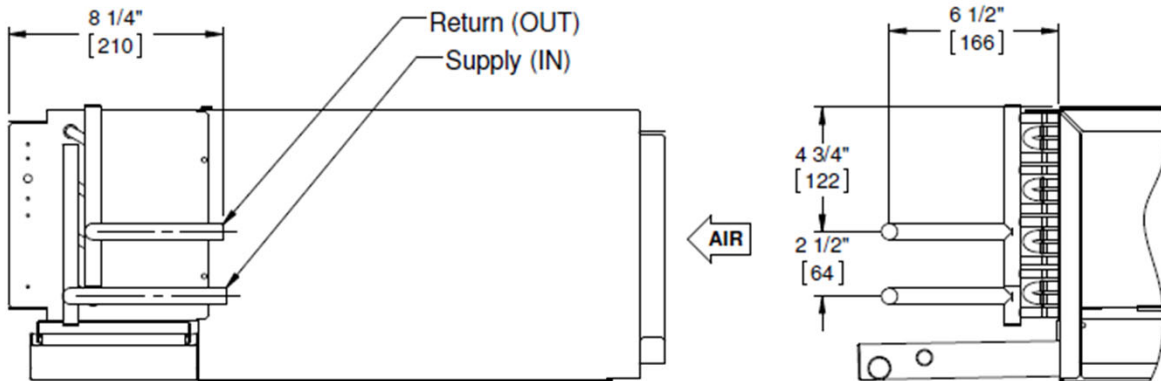
1. All dimensions are inches [millimeters] All dimensions +/- 1/2 [13mm]. Metric values are soft conversion.
2. All drawings subject to change without notice.
3. Model THBP unit shown, typical for model THBC units. Connections shown are internal on THBE units.
4. Connection Size: Chilled Water: 7/8 ODM (3/4" NOM.) Hot Water: 5/8 ODM (1/2" NOM.)
5. Standard externally foam coated galvanized steel drain pan has 7/8" ODM copper outlet. Stainless steel drain pan has 3/4" MPT galvanized steel outlet.
6. Aux. drain outlet is 5/8" ODM copper or 3/8" MPT galvanized steel respectively. Aux. drain outlet is always on viewer's left when facing outlet end of drain pan, regardless of unit hand.

THBC/THBP/THBE Series A

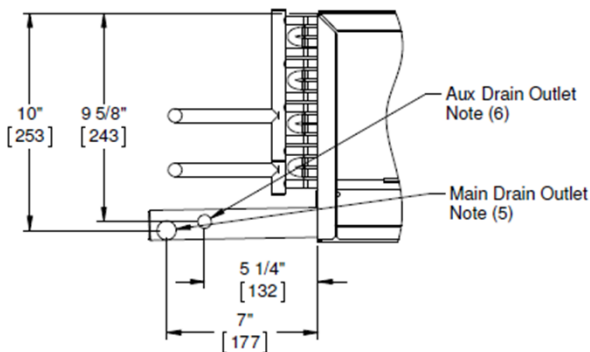
Horizontal Low Profile Concealed/Plenum/Concealed (Water Coil Connection Locations)



2 PIPE COOLING
FOR VALVE PACKAGES
(LEFT HAND)



2 PIPE HEATING
FOR VALVE PACKAGES
(LEFT HAND)



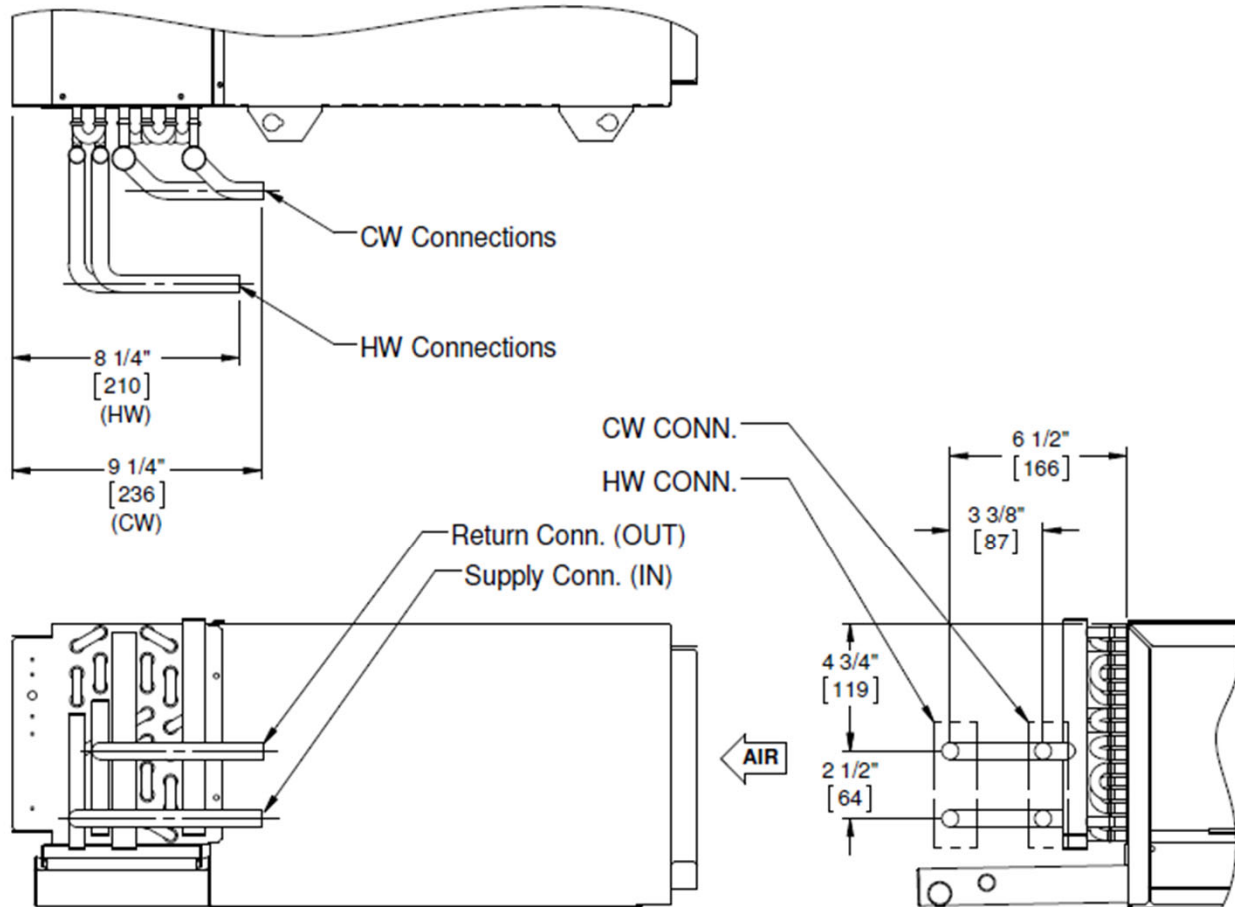
DRAIN LOCATIONS

NOTES:

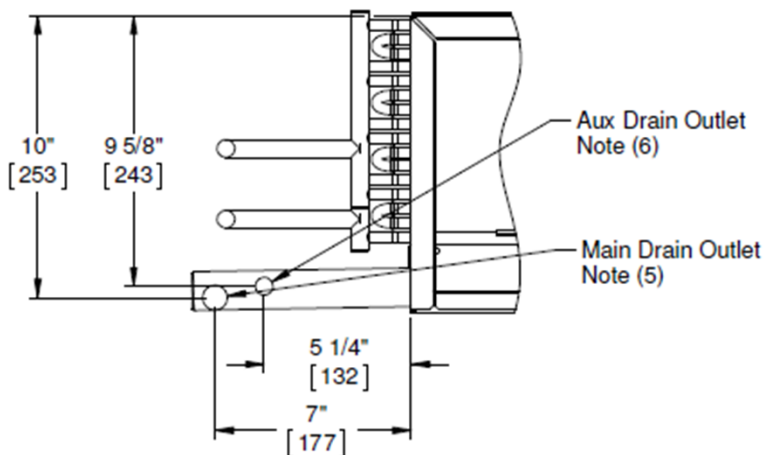
1. All dimensions are inches [millimeters] All dimensions 1/2 [13mm]. Metric values are soft conversion.
2. All drawings subject to change without notice.
3. Model THBP unit shown, typical for model THBC units. Connections shown are internal on THBE units.
4. Connection Size: Chilled Water: 5/8 ODM (1/2" NOM.) Hot Water: 5/8 ODM (1/2" NOM.)
5. Standard externally foam coated galvanized steel drain pan has 7/8" ODM copper outlet. Stainless steel drain pan has 3/4" MPT galvanized steel outlet.
6. Aux. drain outlet is 5/8" ODM copper or 3/8" MPT galvanized steel respectively. Aux. drain outlet is always closest to the unit when facing outlet end of drain pan, regardless of unit hand.

THBC/THBP/THBE Series A

Horizontal Low Profile Concealed/Plenum/Concealed (Water Coil Connection Locations)



4 PIPE RE-HEAT FOR VALVE PACKAGES (LEFT HAND)



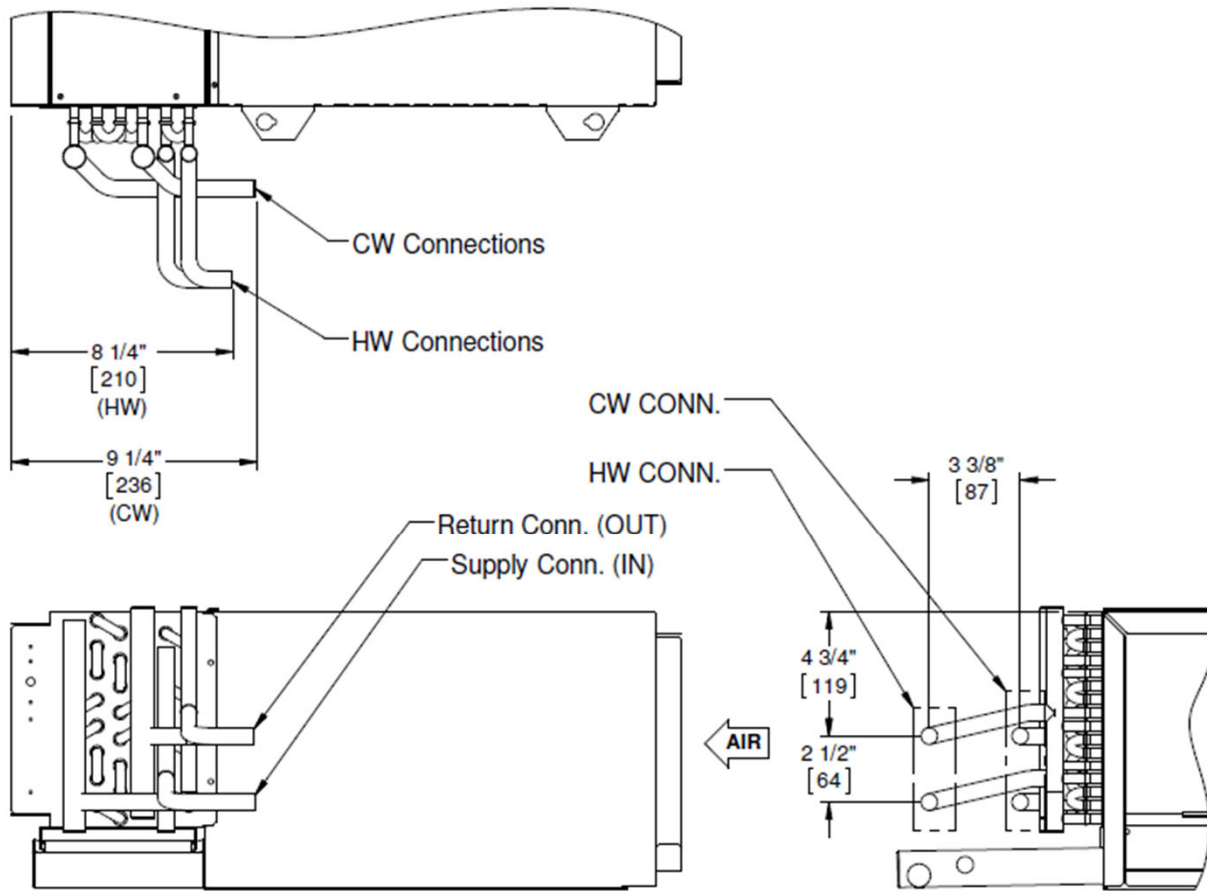
DRAIN LOCATIONS

NOTES:

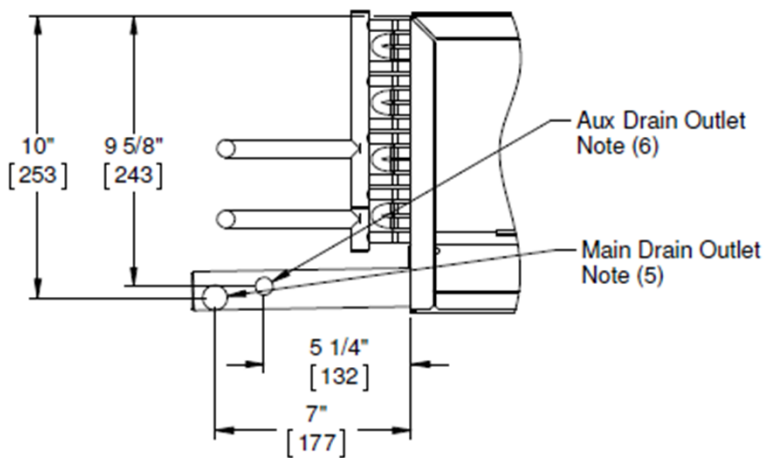
1. All dimensions are inches [millimeters] All dimensions 1/2 [13mm]. Metric values are soft conversion.
2. All drawings subject to change without notice.
3. Model THBP unit shown, typical for model THBC units. Connections shown are internal on THBE units.
4. Connection Size: Chilled Water: 5/8 ODM (1/2" NOM.) Hot Water: 5/8 ODM (1/2" NOM.)
5. Standard externally foam coated galvanized steel drain pan has 7/8" ODM copper outlet. Stainless steel drain pan has 3/4" MPT galvanized steel outlet.
6. Aux. drain outlet is 5/8" ODM copper or 3/8" MPT galvanized steel respectively. Aux. drain outlet is always closest to the unit when facing outlet end of drain pan, regardless of unit hand.

THBC/THBP/THBE Series A

Horizontal Low Profile Concealed/Plenum/Concealed (Water Coil Connection Locations)



4 PIPE PRE-HEAT FOR VALVE PACKAGES (LEFT HAND)



DRAIN LOCATIONS

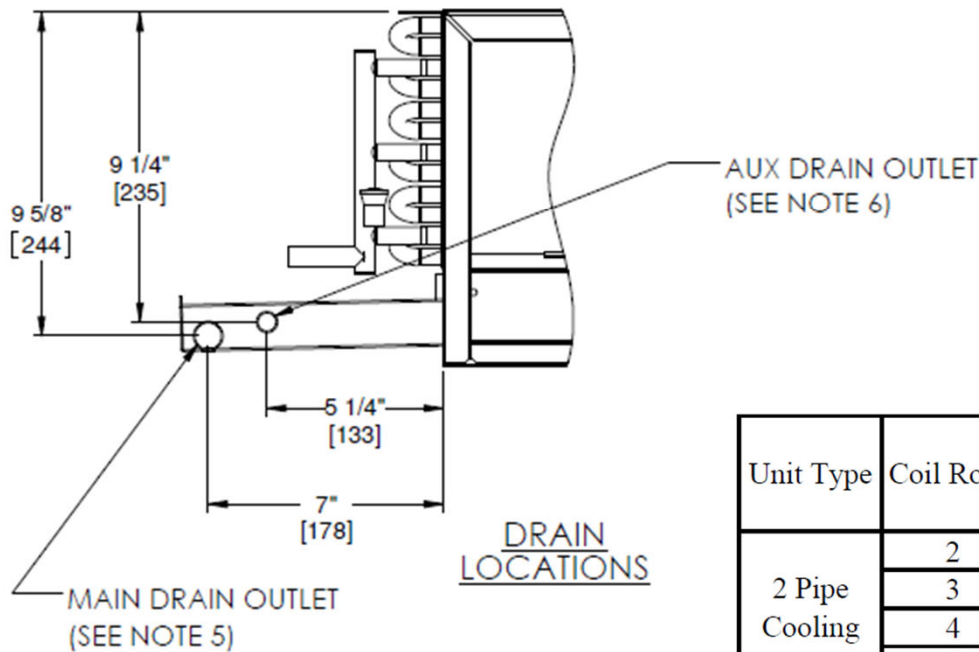
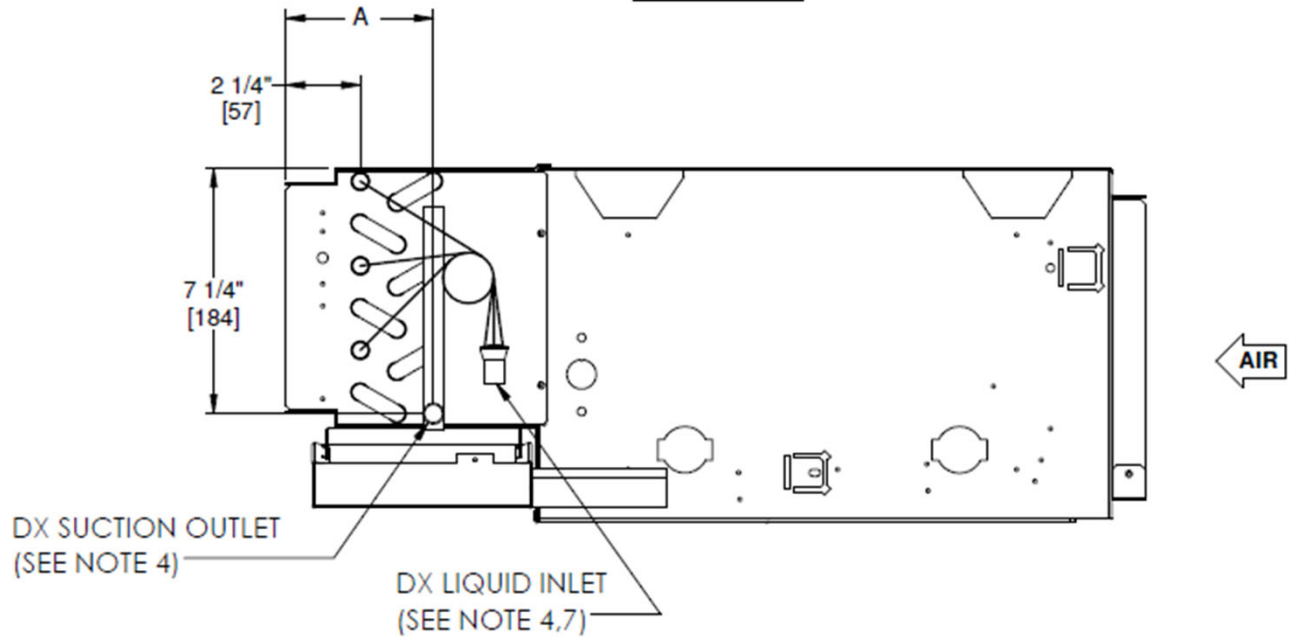
NOTES:

1. All dimensions are inches [millimeters] All dimensions 1/2 [13mm]. Metric values are soft conversion.
2. All drawings subject to change without notice.
3. Model THBP unit shown, typical for model THBC units. Connections shown are internal on THBE units.
4. Connection Size: Chilled Water: 5/8 ODM (1/2" NOM.) Hot Water: 5/8 ODM (1/2" NOM.)
5. Standard externally foam coated galvanized steel drain pan has 7/8" ODM copper outlet. Stainless steel drain pan has 3/4" MPT galvanized steel outlet.
6. Aux. drain outlet is 5/8" ODM copper or 3/8" MPT galvanized steel respectively. Aux. drain outlet is always closest to the unit when facing outlet end of drain pan, regardless of unit hand.

THBC/THBP/THBE Series A

Horizontal Low Profile (DX/HW Coil Connection Locations)

2 PIPE COOLING LEFT HAND



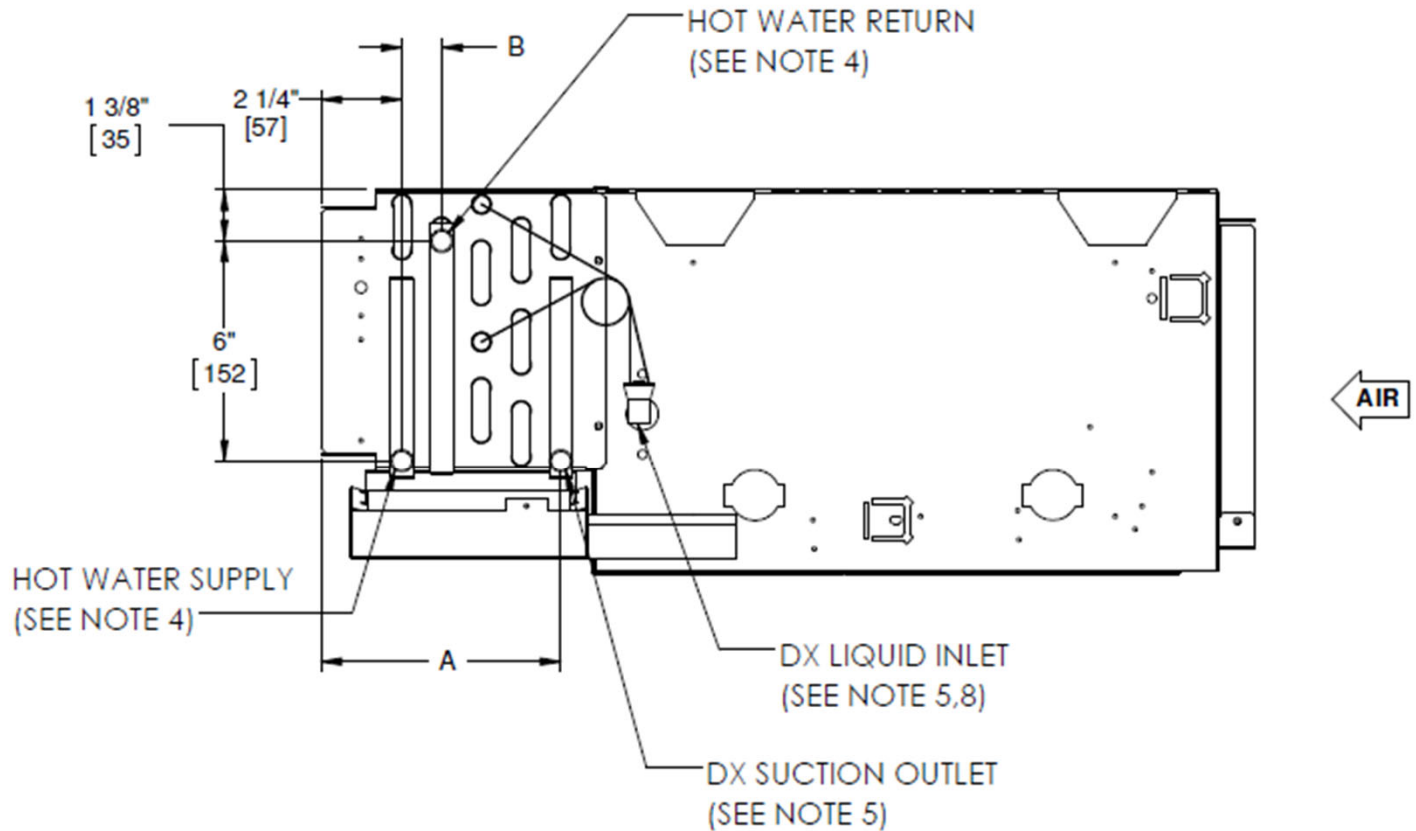
Unit Type	Coil Rows	A	
		In	mm
2 Pipe Cooling	2	3 1/4	83
	3	4 3/8	111
	4	5 1/2	140
	5	6 5/8	168

NOTES:

- All dimensions are inches [millimeters] All dimensions $1/2"$ [13mm]. Metric values are soft conversion.
- All drawings subject to change without notice.
- Model THBP unit shown, typical for model THBC units. Connections shown are internal on THBE units.
- Connection for DX: DX Liquid Inlet: $5/8"$ ODM copper ($1/2"$ NOM) Suction Outlet: $5/8"$ ODM copper ($1/2"$ NOM)
- Standard externally foam coated galvanized steel drain pan has $7/8"$ ODM copper outlet. Stainless steel drain pan has $3/4"$ MPT galvanized steel outlet.
- Aux. drain outlet is $5/8"$ ODM copper or $3/8"$ MPT galvanized steel respectively. Aux. drain outlet is located to the inside of Main Drain Outlet on drain pan, regardless of unit hand.
- Liquid Inlet arrangement may vary.

THBC/THBP/THBE Series A

Horizontal Low Profile (DX/HW Coil Connection Locations)



4 PIPE DX/HW RE-HEAT LEFT HAND

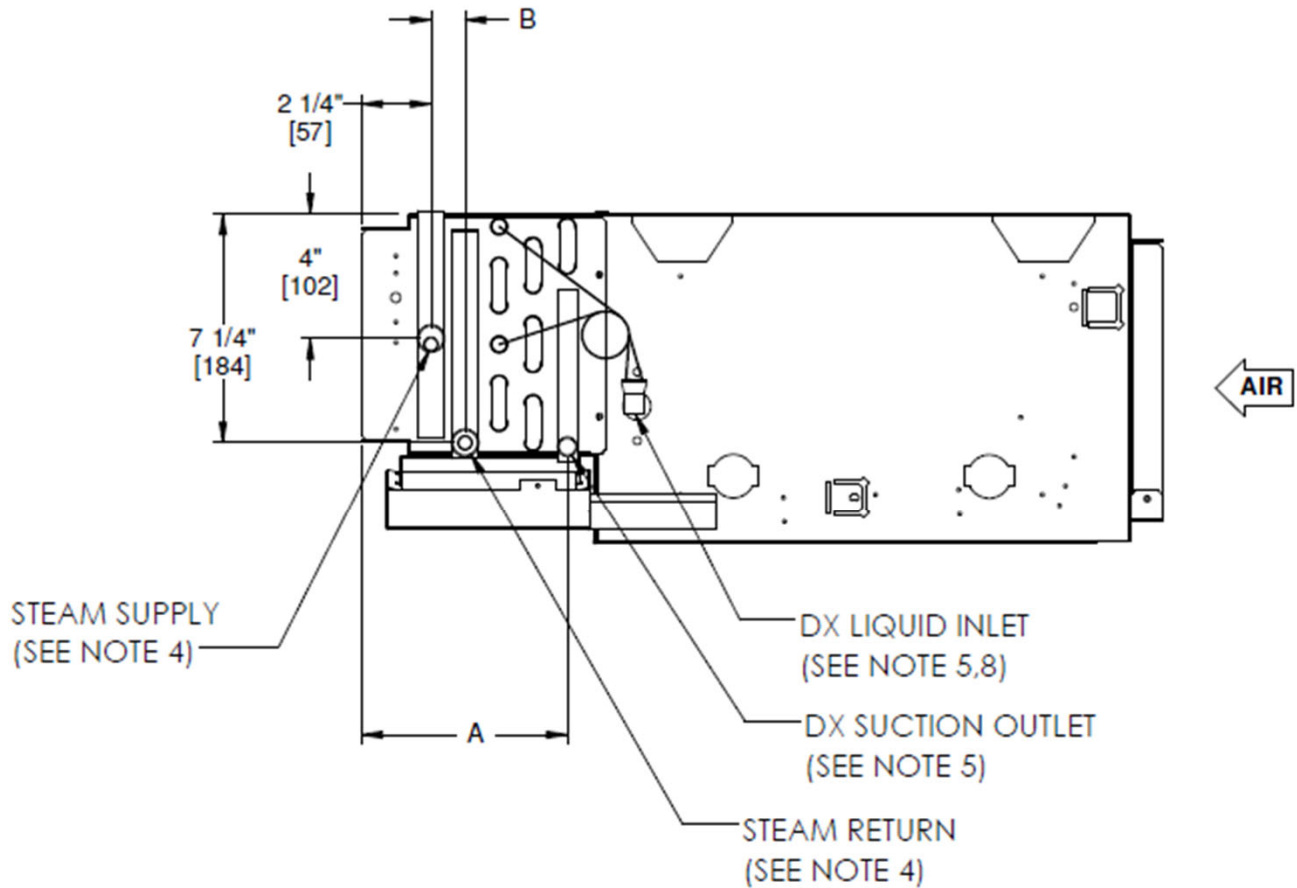
Unit Type	Coil 1	A		Coil 2	A	
		In	mm		In	mm
4 Pip DX/HW Reheat	2	4 3/8	111	2	4 3/8	111
	3	5 1/2	140	3	5 1/2	140
	4	7 5/8	194	4	7 5/8	194
	2	4 3/8	111	2	4 3/8	111
	3	5 1/2	140	3	5 1/2	140

NOTES:

1. All dimensions are inches [millimeters] All dimensions 1/2 [13mm].Metric values are soft conversion.
2. All drawings subject to change without notice.
3. Model THBP unit shown, typical for model THBC units. Connections shown are internal on THBE units.
4. Connection Size: Hot Water Supply: 5/8 ODM (1/2" NOM.) Hot Water Return: 5/8 ODM (1/2" NOM.)
5. Connection for DX: DX Liquid Inlet: 5/8" ODM copper (1/2" NOM) Suction Outlet: 5/8" ODM copper (1/2" NOM)
6. Standard externally foam coated galvanized steel drain pan has 7/8" ODM copper outlet. Stainless steel drain pan has 3/4" MPT galvanized steel outlet.
7. Aux. drain outlet is 5/8" ODM copper or 3/8" MPT galvanized steel respectively. Aux. drain outlet is located to the inside of Main Drain Outlet on drain pan, regardless of unit hand.
8. Liquid Inlet arrangement may vary

THBC/THBP/THBE Series A

Horizontal Low Profile (DX/HW Coil Connection Locations)



4 PIPE DX/2R-STEAM RE-HEAT LEFT HAND

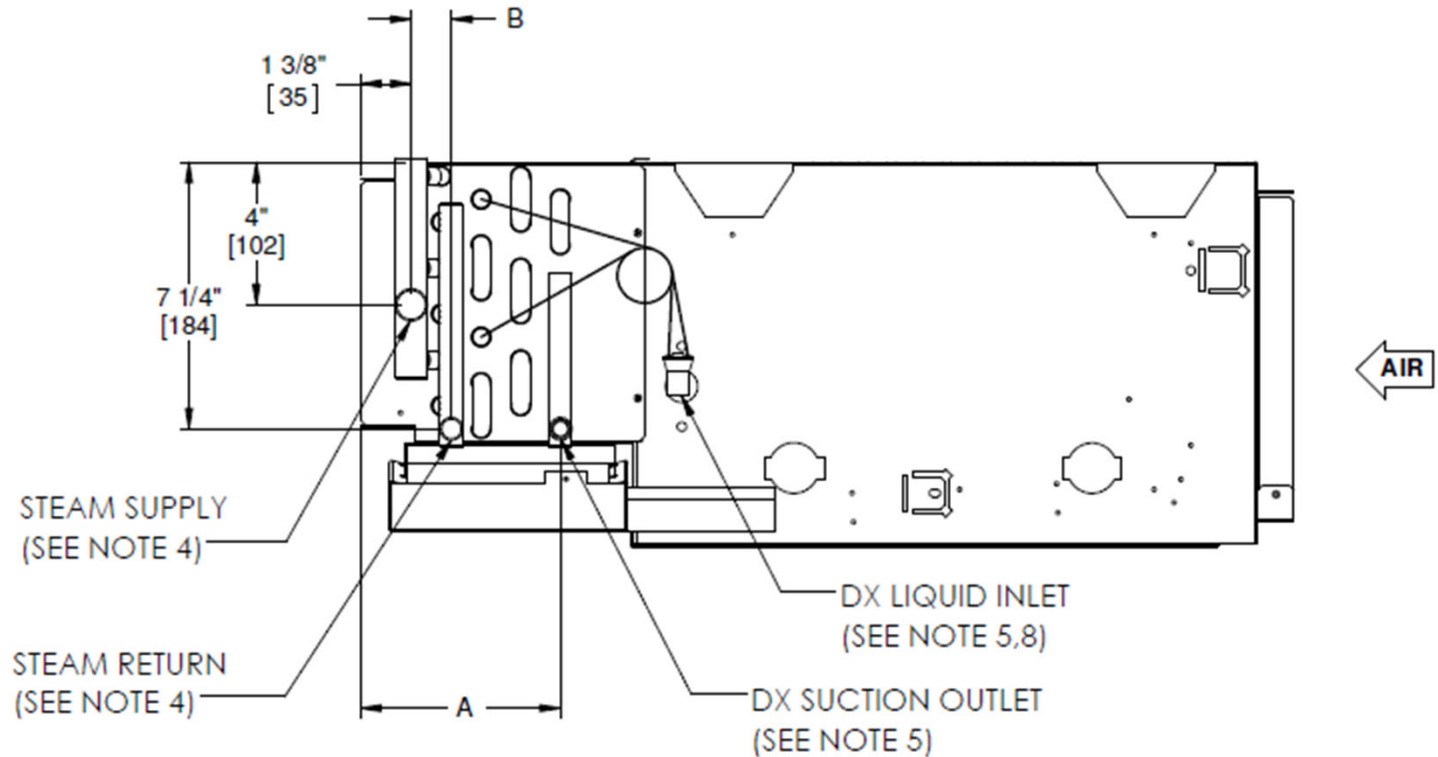
<u>4 PIPE DX/2R-STEAM RE-HEAT</u>			
Coil 1 Rows	A	Coil 2 Rows	B
2	5 1/2" [140]	2	1 1/8" [29]
3	6 1/2" [165]	2	1 1/8" [29]

NOTES:

1. All dimensions are inches [millimeters] All dimensions 1/2 [13mm]. Metric values are soft conversion.
2. All drawings subject to change without notice.
3. Model THBP unit shown, typical for model THBC units. Connections shown are internal on THBE units.
4. Connection Size: Steam Supply: 7/8 ODM (3/4" NOM.) Steam Return: 7/8 ODM (3/4" NOM.)
5. Connection for DX: DX Liquid Inlet: 5/8" ODM copper (1/2" NOM) Suction Outlet: 5/8" ODM copper (1/2" NOM)
6. Standard externally foam coated galvanized steel drain pan has 7/8" ODM copper outlet. Stainless steel drain pan has 3/4" MPT galvanized steel outlet.
7. Aux. drain outlet is 5/8" ODM copper or 3/8" MPT galvanized steel respectively. Aux. drain outlet is located to the inside of Main Drain Outlet on drain pan, regardless of unit hand.
8. Liquid Inlet arrangement may vary.

THBC/THBP/THBE Series A

Horizontal Low Profile (DX/HW Coil Connection Locations)



4 PIPE DX/1R-STEAM RE-HEAT LEFT HAND

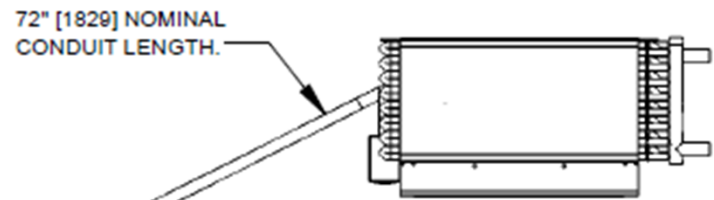
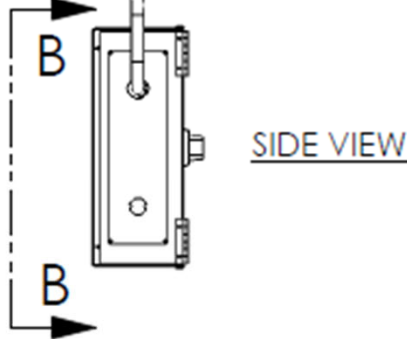
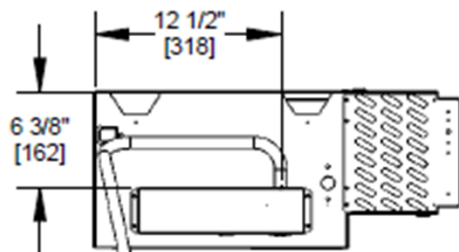
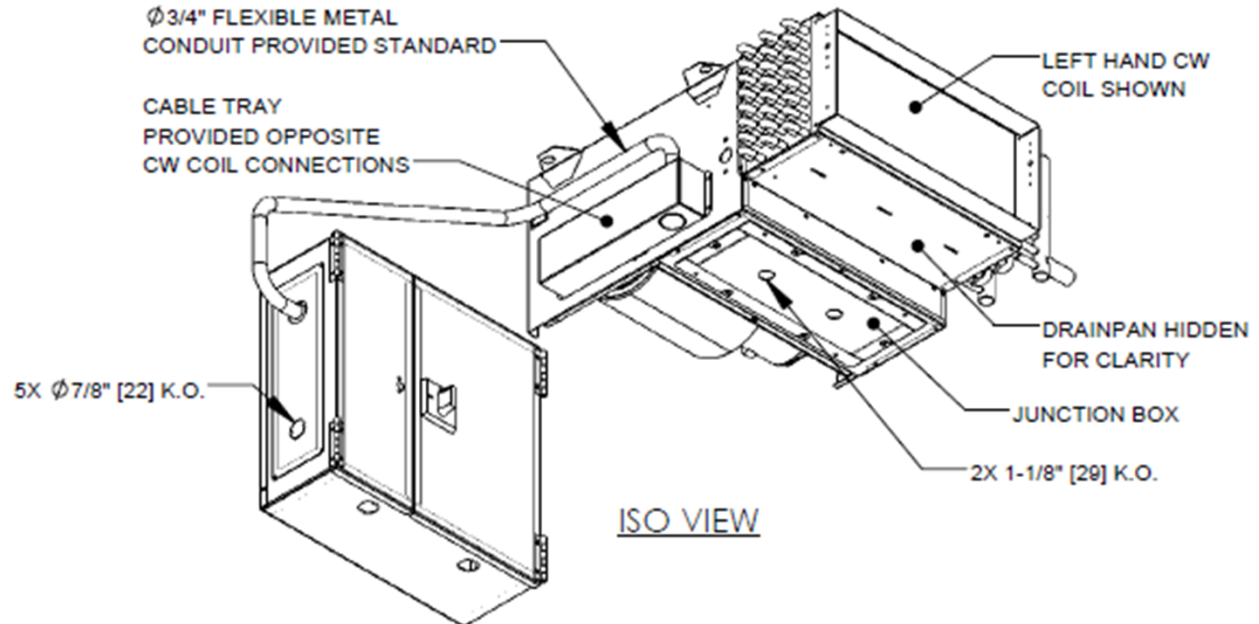
<u>4 PIPE DX/1R-STEAM RE-HEAT</u>			
Coil 1 Rows	A	Coil 2 Rows	B
2	4 3/8" [111]	1	1 1/8" [29]
3	5 1/2" [140]	1	1 1/8" [29]
4	6 5/8" [168]	1	1 1/8" [29]

NOTES:

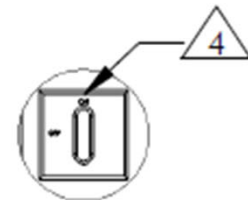
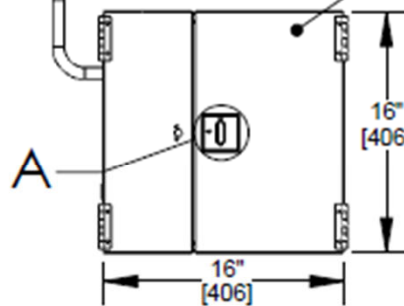
- All dimensions are inches [millimeters] All dimensions 1/2 [13mm]. Metric values are soft conversion.
- All drawings subject to change without notice.
- Model "THBP" unit shown, typical for model "FHF" units. Connections shown are internal on "FHX" units.
- Connection Size: Steam Supply: 7/8 ODM (3/4" NOM.) Steam Return: 5/8 ODM (1/2" NOM.)
- Connection for DX: DX Liquid Inlet: 5/8" ODM copper (1/2" NOM) Suction Outlet: 5/8" ODM copper (1/2" NOM)
- Standard externally foam coated galvanized steel drain pan has 7/8" ODM copper outlet. Stainless steel drain pan has 3/4" MPT galvanized steel outlet.
- Aux. drain outlet is 5/8" ODM copper or 3/8" MPT galvanized steel respectively. Aux. drain outlet is located to the inside of Main Drain Outlet on drain pan, regardless of unit hand.
- Liquid Inlet arrangement may vary.

THBC Series A

Horizontal Low Profile Concealed Free Return (Remote Electrical Enclosure 16x16 W/O Electric Heat)



4 REMOTE ENCLOSURE POSITION AND ORIENTATION RELATIVE TO UNIT NOT SPECIFIED BY FACTORY.



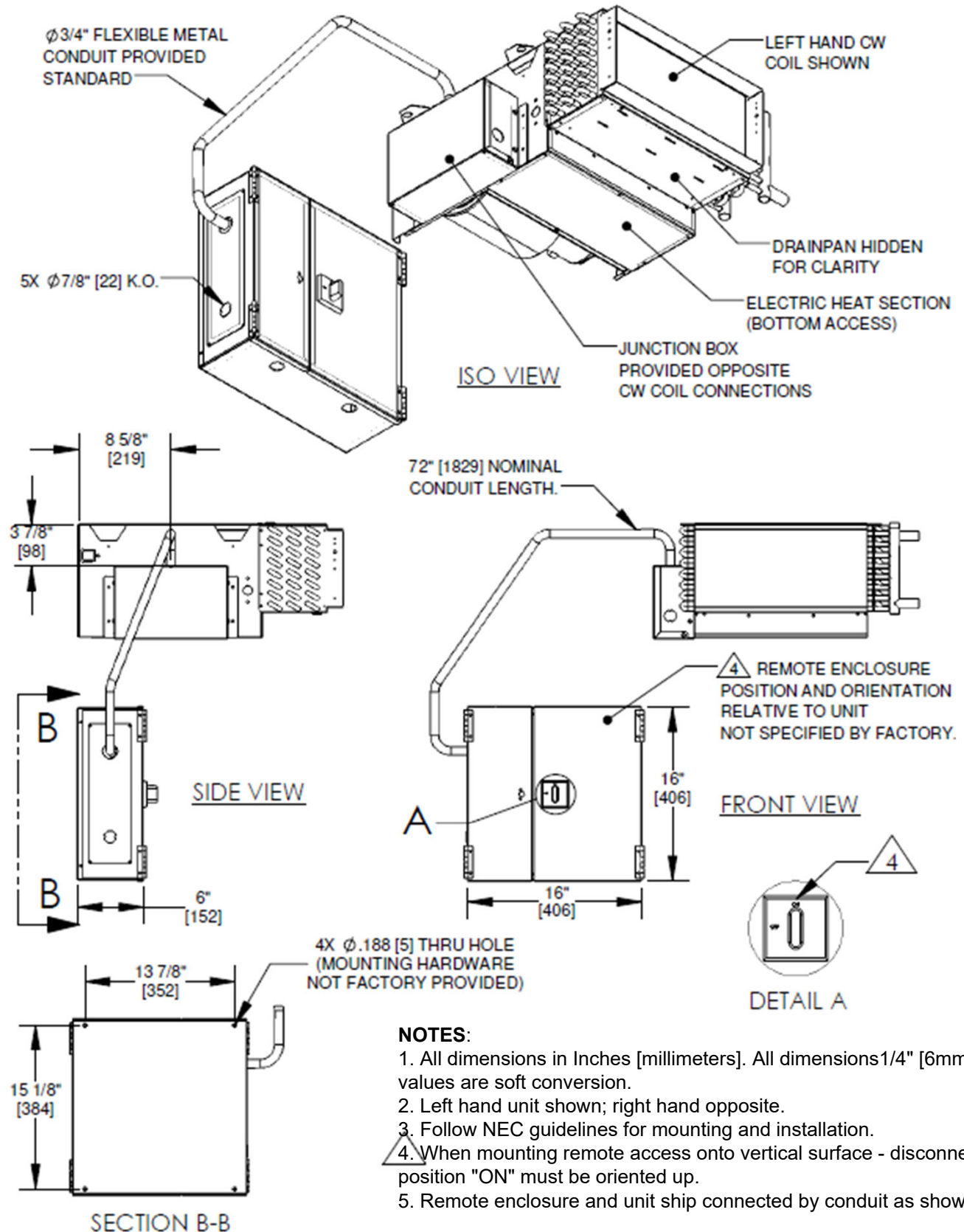
4X Ø .188 [5] THRU HOLE (MOUNTING HARDWARE NOT FACTORY PROVIDED)

NOTES:

1. All dimensions in Inches [millimeters]. All dimensions 1/4" [6mm]. Metric values are soft conversion.
2. Left hand unit shown; right hand opposite.
3. Follow NEC guidelines for mounting and installation.
4. When mounting remote access onto vertical surface - disconnect position "ON" must be oriented up.
5. Remote enclosure and unit ship connected by conduit as shown.

THBC Series A

Horizontal Low Profile Concealed Free Return (Remote Electrical Enclosure 16x16 W/ Electric Heat)

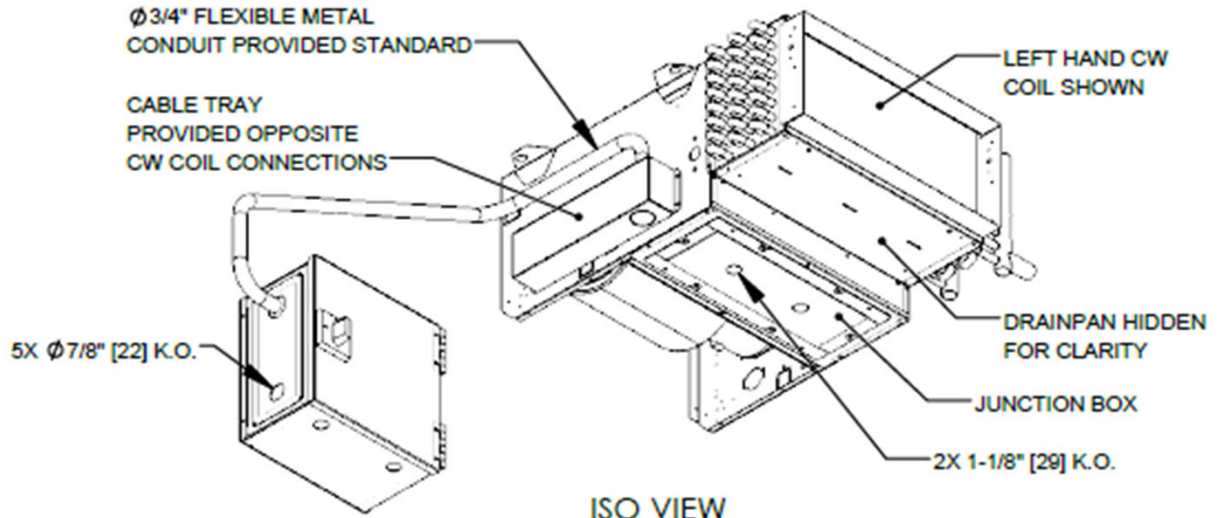


NOTES:

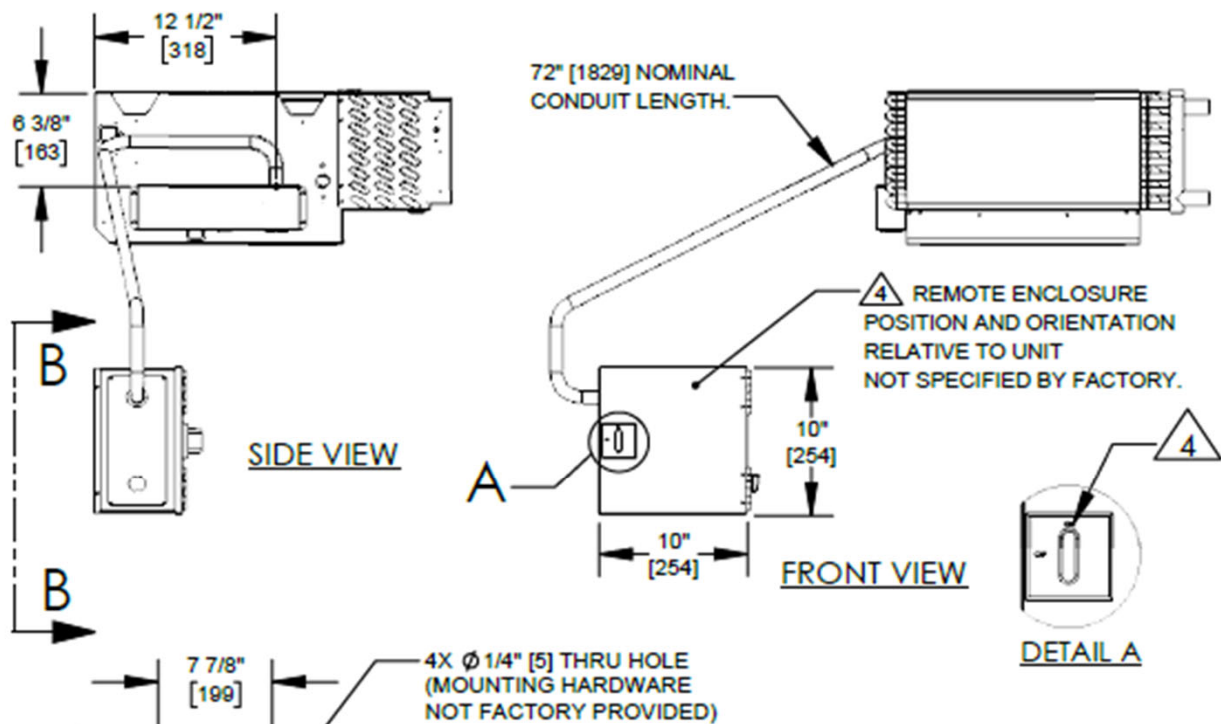
1. All dimensions in Inches [millimeters]. All dimensions 1/4" [6mm]. Metric values are soft conversion.
2. Left hand unit shown; right hand opposite.
3. Follow NEC guidelines for mounting and installation.
4. When mounting remote access onto vertical surface - disconnect position "ON" must be oriented up.
5. Remote enclosure and unit ship connected by conduit as shown.

THBC Series A

Horizontal Low Profile Concealed Free Return (Remote Electrical W/O Electric Heat Enclosure 10x10)



ISO VIEW



SIDE VIEW

FRONT VIEW

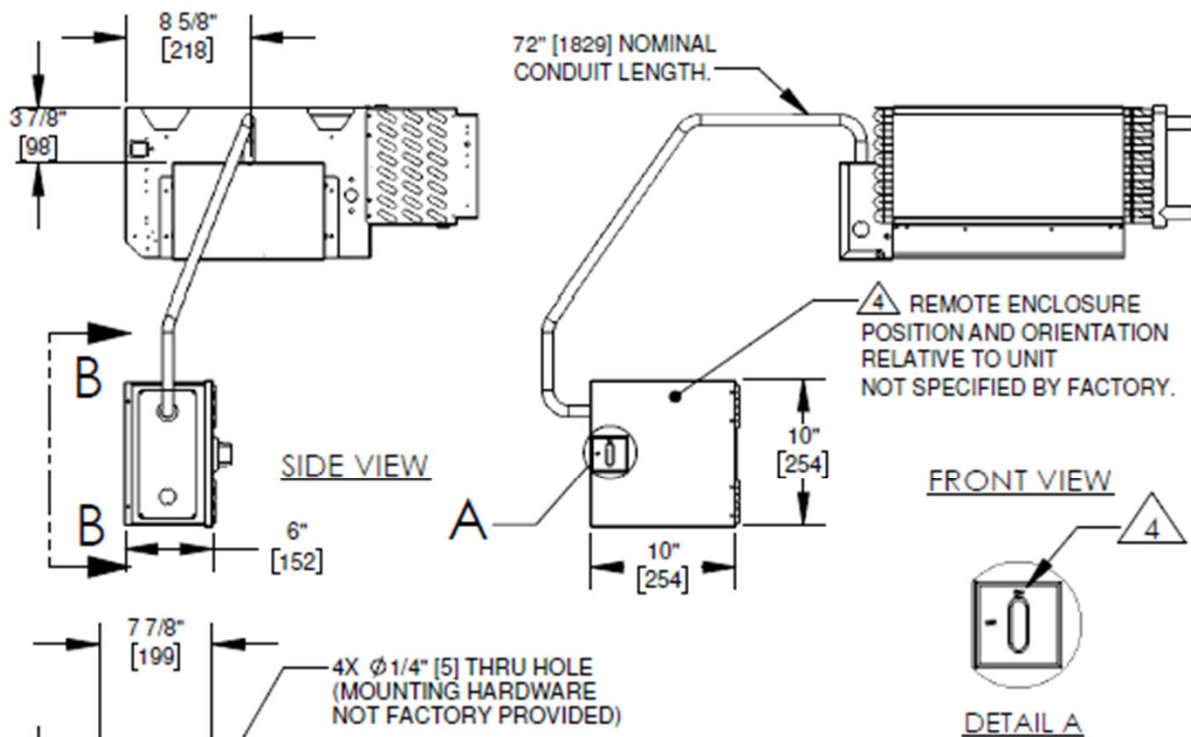
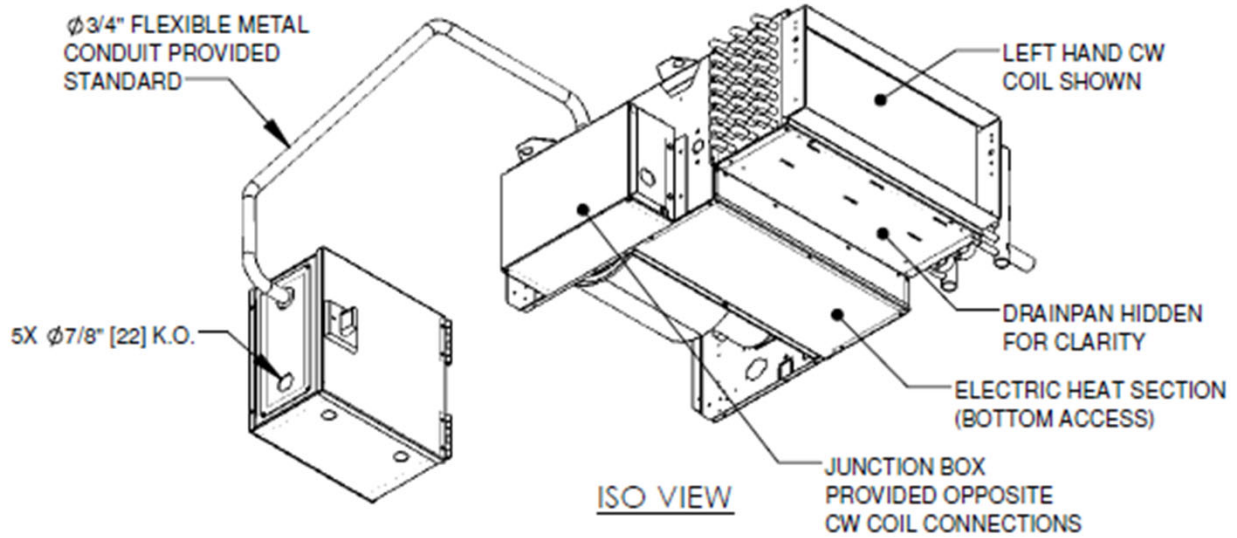
DETAIL A

NOTES:

1. All dimensions in Inches [millimeters]. All dimensions 1/4" [6mm]. Metric values are soft conversion.
2. Left hand unit shown; right hand opposite.
3. Follow NEC guidelines for mounting and installation.
4. When mounting remote access onto vertical surface - disconnect position "ON" must be oriented up.
5. Remote enclosure and unit ship connected by conduit as shown.

THBC Series A

Horizontal Low Profile Concealed Free Return (Remote Electrical W/ Electric Heat Enclosure 10x10)



NOTES:

1. All dimensions in Inches [millimeters]. All dimensions 1/4" [6mm]. Metric values are soft conversion.
2. Left hand unit shown; right hand opposite.
3. Follow NEC guidelines for mounting and installation.
4. When mounting remote access onto vertical surface - disconnect position "ON" must be oriented up.
5. Remote enclosure and unit ship connected by conduit as shown.

THBC Series A

Revision History

Revision Date	Version Date	Initiated By	Description
initial Release	11/16/20	J.Letterman	Initial release of series A units